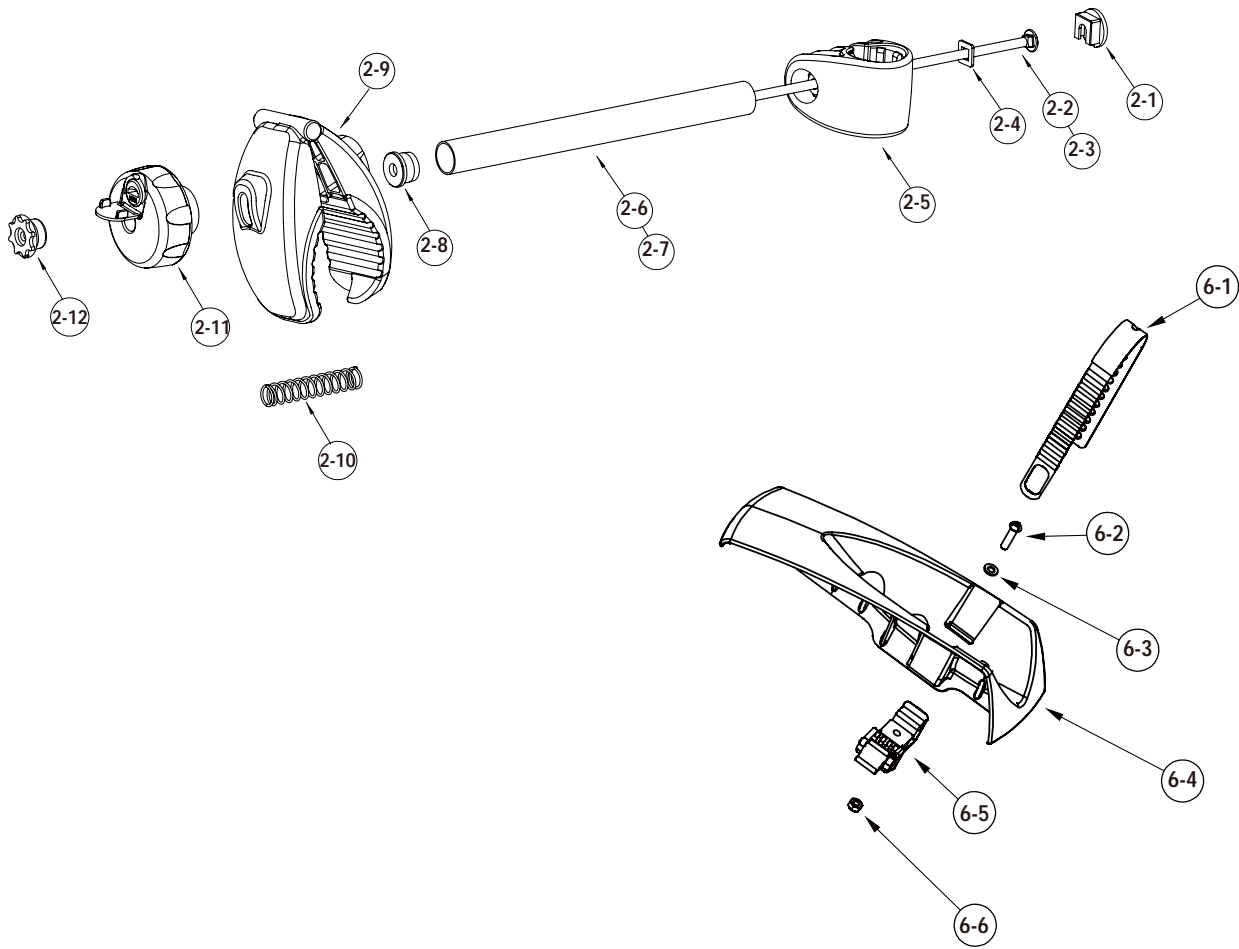


PART	DESCRIPTION	PART NUMBER	QTY.	PACK SIZE	PART	DESCRIPTION	PART NUMBER	QTY.	PACK SIZE
1	Bike frame vertical support	31-0002-30027							
2	Longer clamp-silver	47-0029-012-05							
	Shorter clamp-silver	142-1065-005-58							
3	Washer Ø6.5xØ19	140-1106-011-58							
4	Button head screw M6x45mm	31-0002-10032							
5	BuzzRunner H Foot								
6	Wheel support-assembly								
7	PE Foam pad	134-00069-01							
8	Pad velcro protector	139-00110-01							
9	Hex bolt Lock	47-0113-040-01							
10	Washer Ø13.5xØ27	47-0113-033-01							
11	Spring Washers1/2"	142-2045-001-58							
12	R-Pin	143-00003-58							
13	Allen key	144-00009-56							
14	Key K001-K010	47-0113-020-01							
15	HEX BOLT 1/2"-13UNCx3 1/4"	140-0440-006-58							
16	Wrench cover	130-00513-01							
17	Wrench	47-0113-030-01							



PART	DESCRIPTION	PART NUMBER	QTY.	PACK SIZE	PART	DESCRIPTION	PART NUMBER	QTY.	PACK SIZE
2-1	Clip cover	130-00368-01							
2-2	Carriage bolt M6 x 360mm	140-0106-041-58							
2-3	Carriage bolt M6 x 180mm	140-0106-042-58							
2-4	Square washer	118-00065-58							
2-5	Clamp tube clip	130-00367-01							
2-6	Clamp Tube 210mm	3201-00108-66							
2-7	Clamp Tube 40mm	3201-00109-66							
2-8	End cap	130-00155-01							
2-9	Clamp sub-assembly	47-0106-000-01							
2-10	Clamp Spring	145-00016-50							
2-11	Locking knob	47-0113-017-01							
2-12	Insert threaded knob	47-0113-018-01							
6-1	Wheel strap	130-00258-05							
6-2	Button head screw M6x25mm	140-1106-005-58							
6-3	Washer Ø6.5xØ11.5	142-1065-001-58							
6-4	Wheel support	130-00257-01							
6-5	Ratchet for wheel strap	47-0113-052-01							
6-6	Nylock nut M6	141-0106-001-58							

